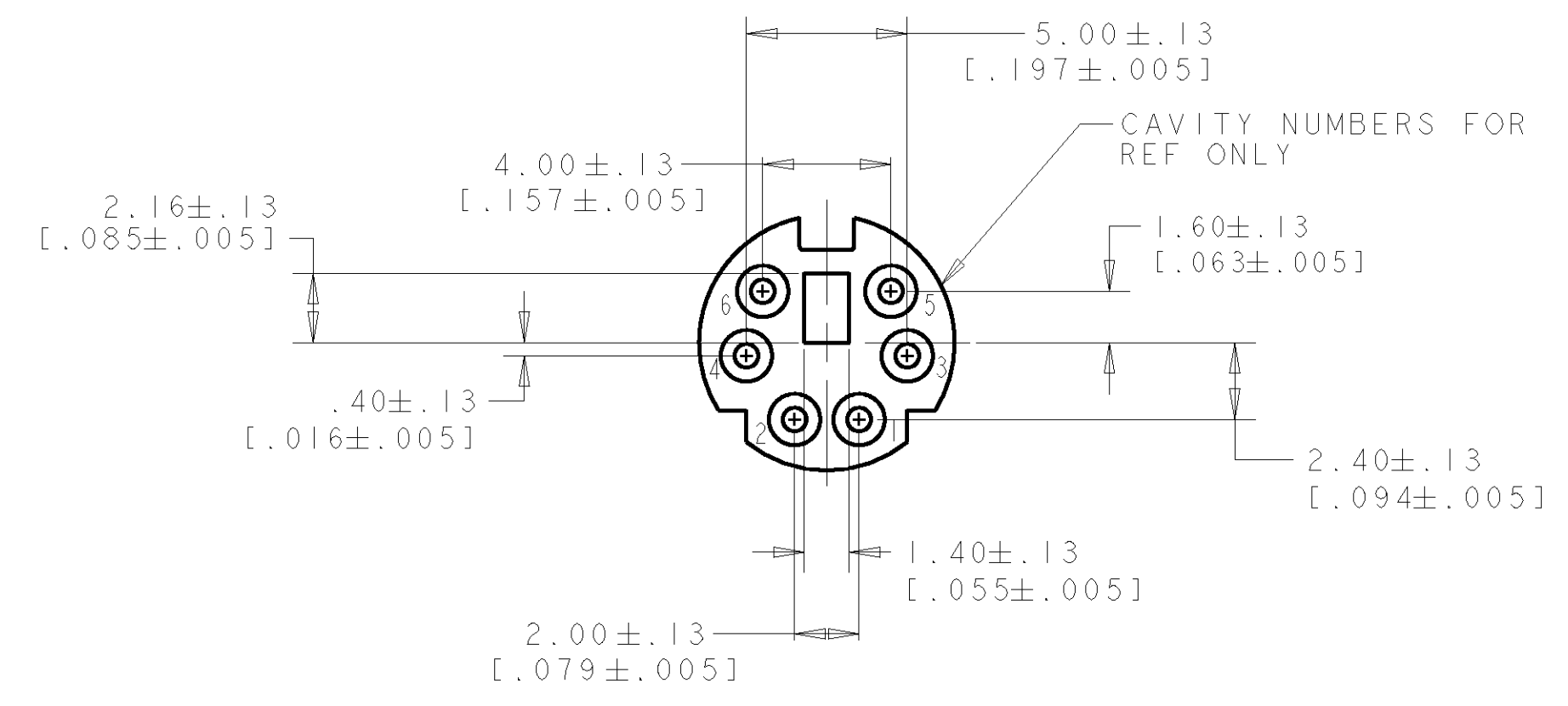
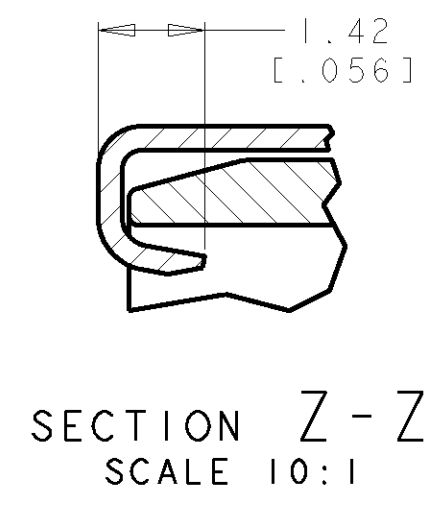
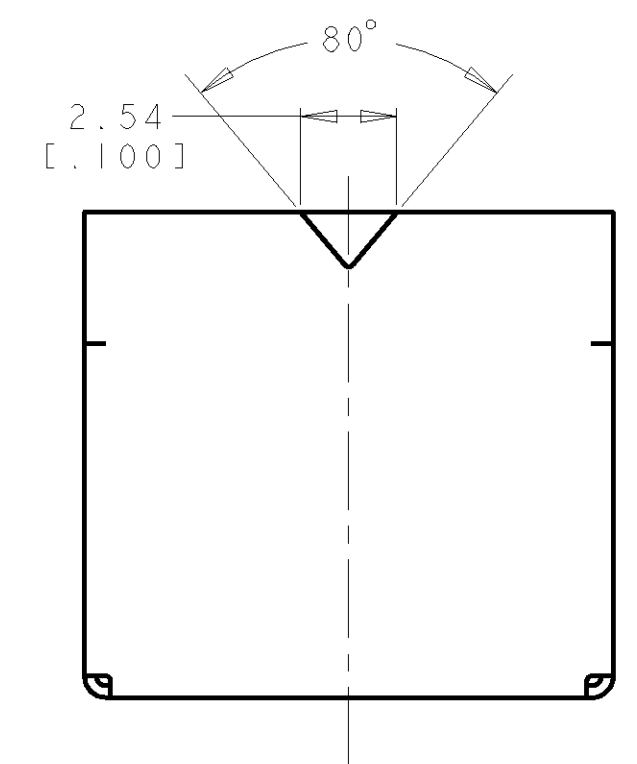
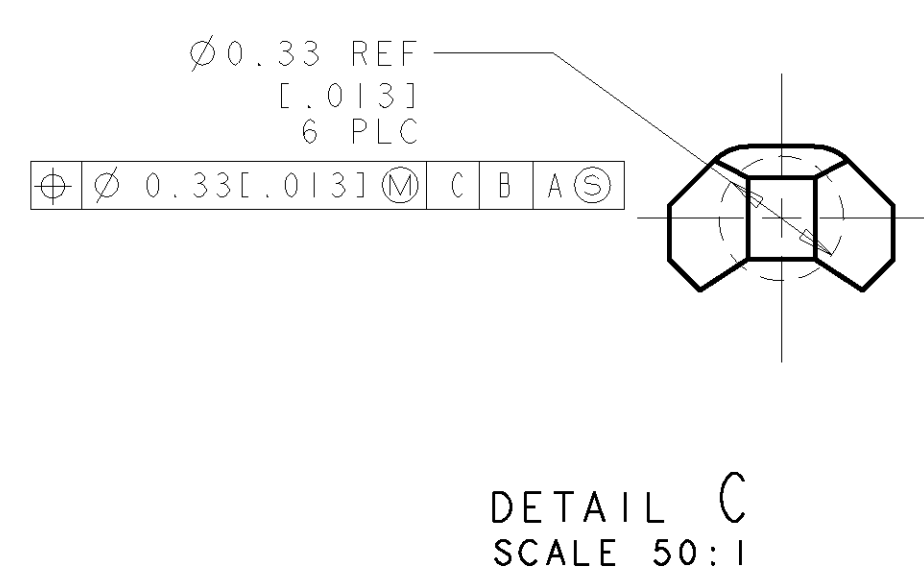
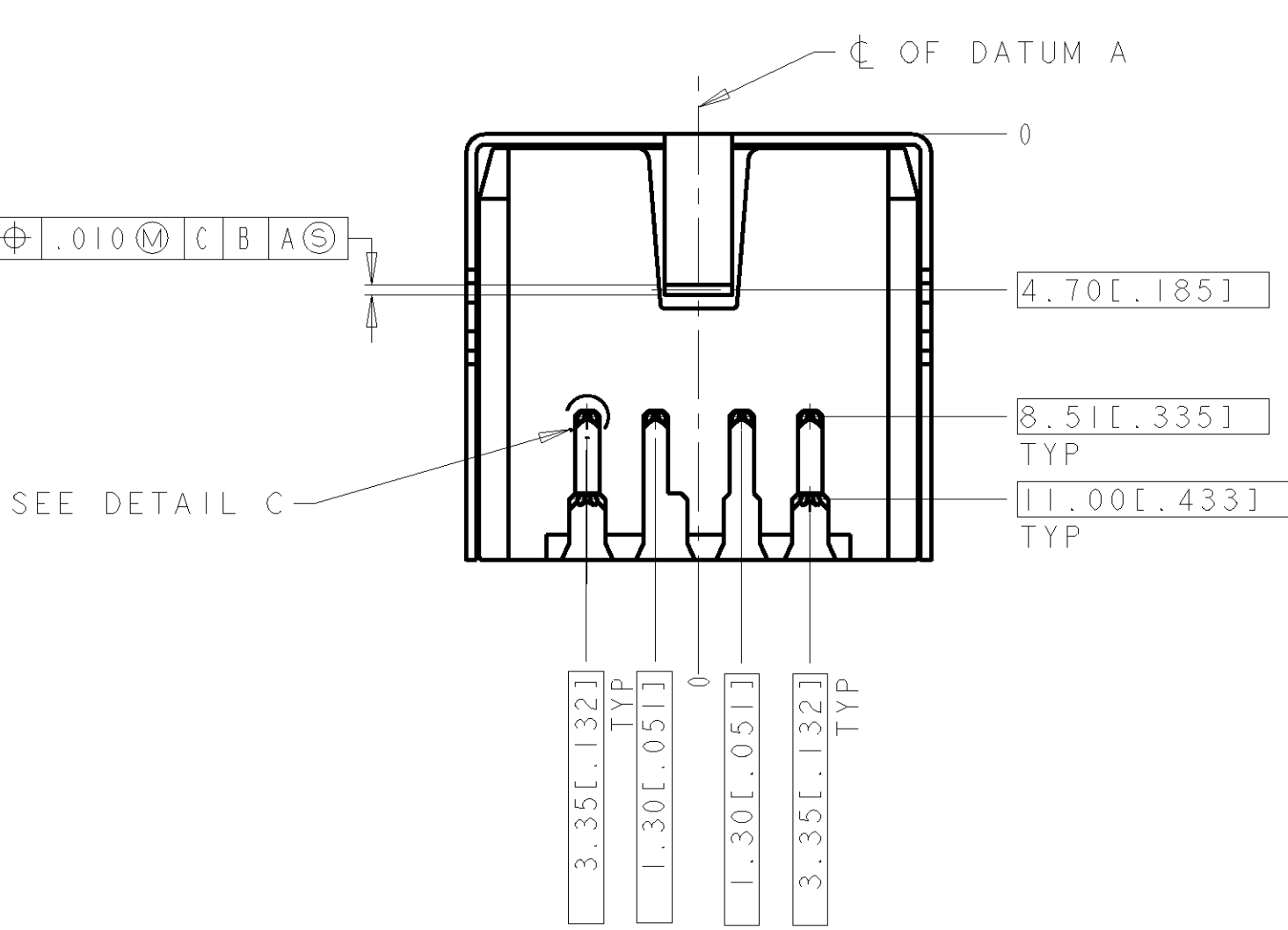
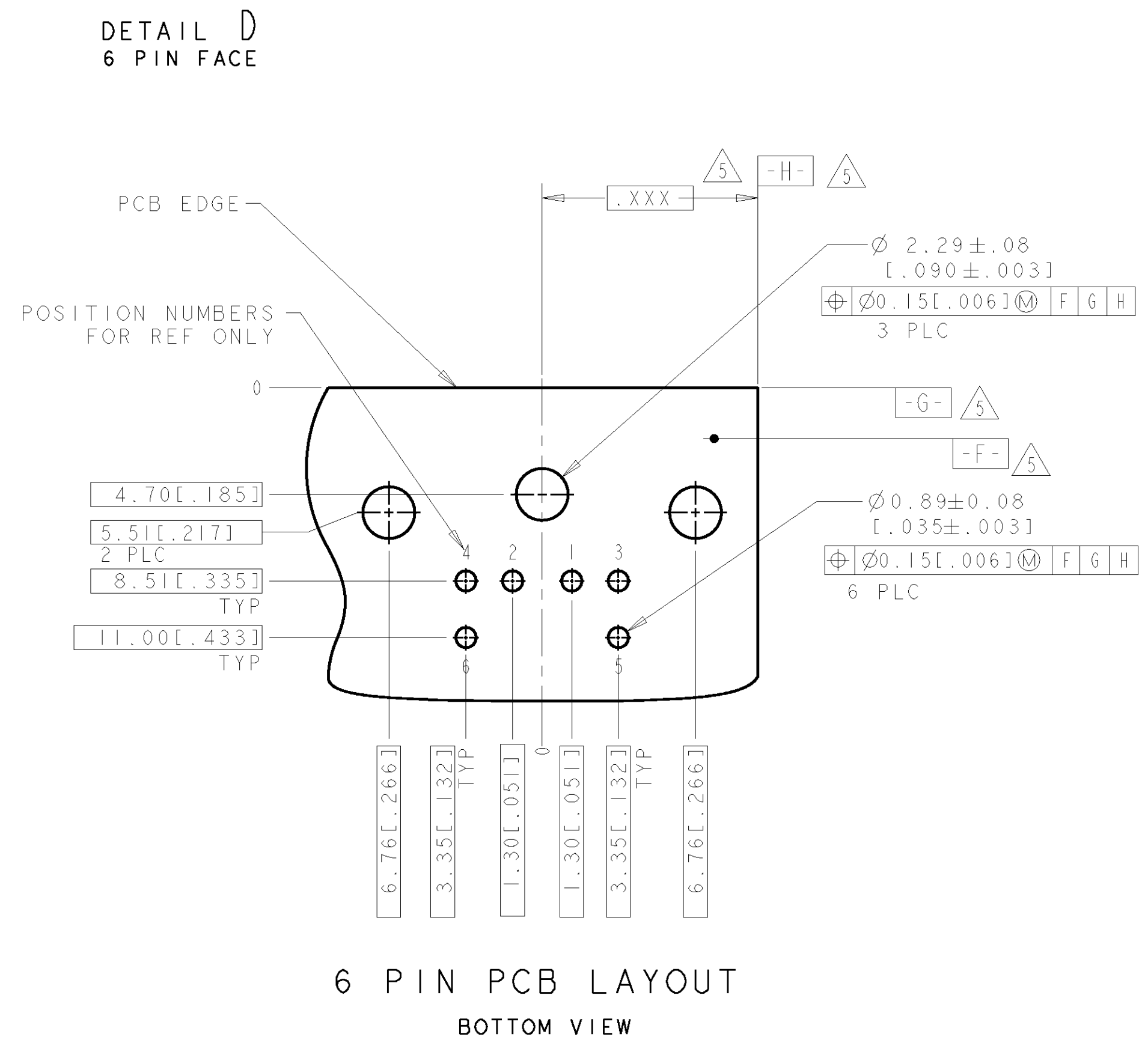
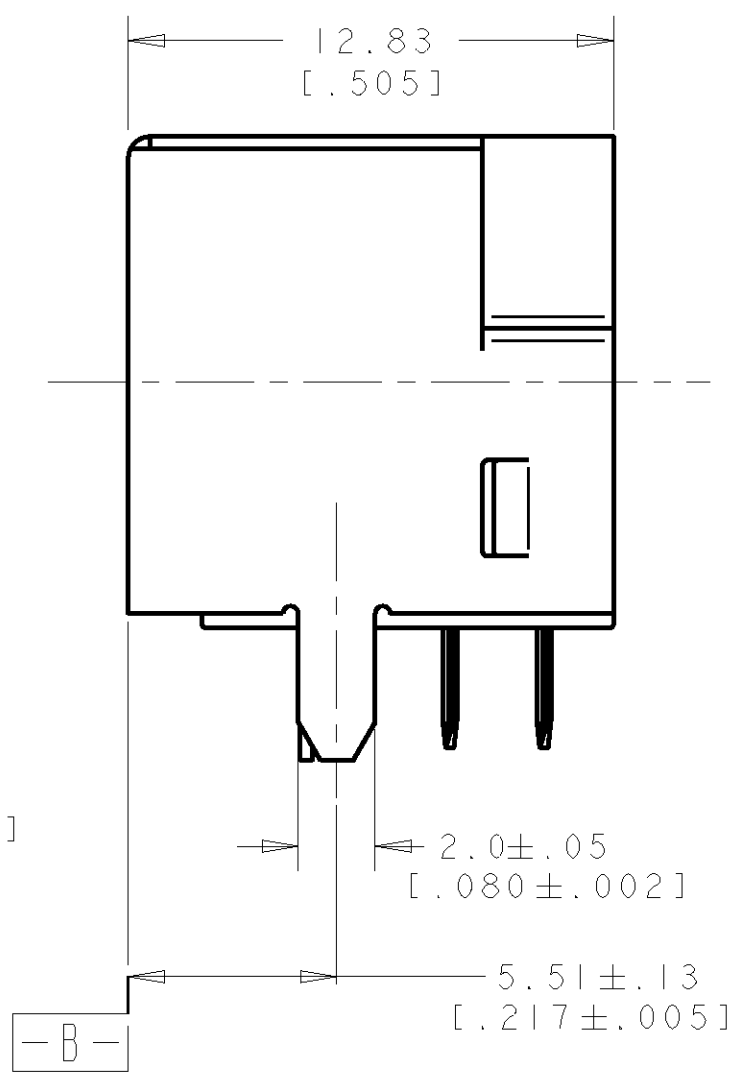
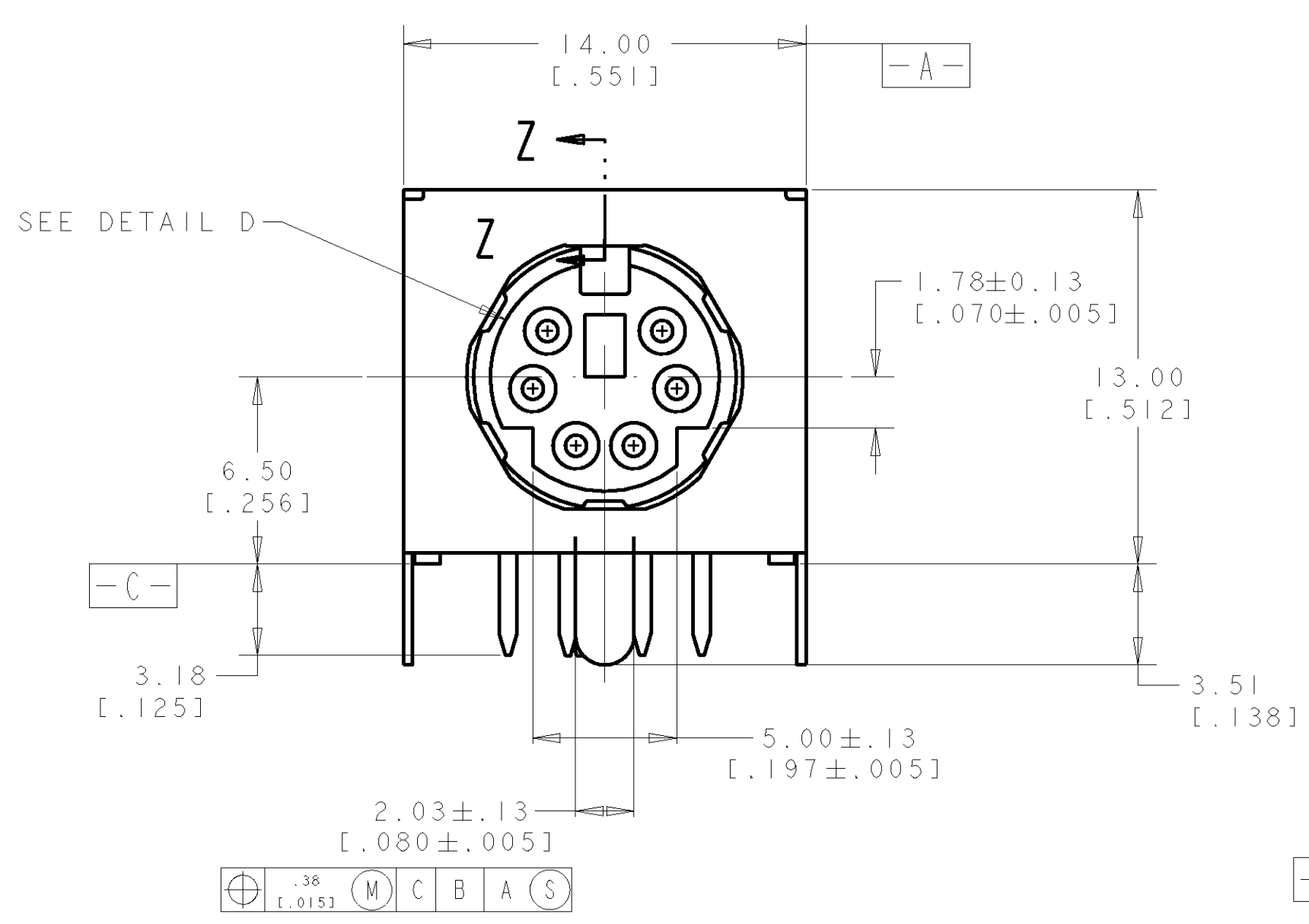


LOC	DIST	REVISIONS			
F	LTR	DESCRIPTION	DATE	DNM	APRD
0		NPR FPD0-0340-04	4JAN05	LWY	LSF



- RECEPTACLE CONTACTS: COPPER ALLOY.  
RECEPTACLE SHIELD: COPPER ALLOY.  
HOUSING: THERMOPLASTIC, BLACK, 94V-0 RATED.
- PLATING:  
RECEPTACLE CONTACTS - GOLD PLATED .00076 MIN [0.00030 MIN] THICK ON MATING END, MATTE-TIN PLATED .0030 MIN [0.00120 MIN] THICK ON SOLDER TAIL ALL OVER .0013 MIN [0.00050 MIN] THICK NICKEL.
- PLATING:  
SHIELD: PRE-TIN PLATED
- RECEPTACLE ASSEMBLY MATES WITH 6 PIN 9.00±.10 [0.354±.004] DIAMETER PLUG.
- DATUMS AND BASIC DIMENSION SUPPLIED BY CUSTOMER.



<small>THIS DRAWING IS A CONTROLLED DOCUMENT FOR AMP INCORPORATED. ALL DIMENSIONS SHALL BE TO THE DIMENSIONS OF THE LATEST REVISION. ORGANIZATION SHOULD BE CONTACTED FOR THE LATEST REVISION.</small>		DWN: WYLEE CBY: SF LEONG APD: SF LEONG	04JAN2005 NAME: RECEPTACLE ASSY, 6 POS, RIGHT ANGLE, MINIATURE CIRCULAR DIN PRODUCT SPEC: 108-1225 APPLICATION SPEC: - WEIGHT: - MATERIAL: - FINISH: - CUSTOMER DRAWING	Tyco Electronics Singapore Pte. Ltd.
DIMENSIONS: mm [INCHES]	TOLERANCES UNLESS OTHERWISE SPECIFIED: 0 PLC ± 1 PLC ± 2 PLC ± 3 PLC ±0.38 [0.015] 4 PLC ± 5 PLC ± ANGLES: ±0°30'	SIZE: A1 CAGE CODE: 00779 DRAWING NO: C=5749266 SCALE: 5:1 SHEET: 1 OF 1 REV: 0	P/N: 5749266-1 AS SHOWN	